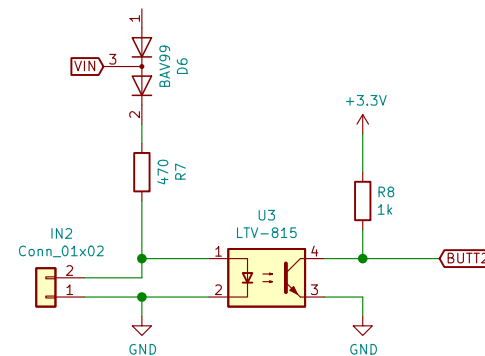
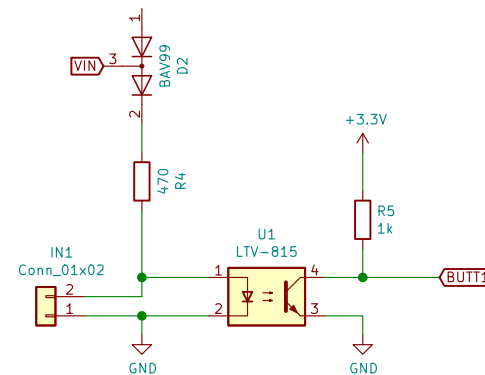
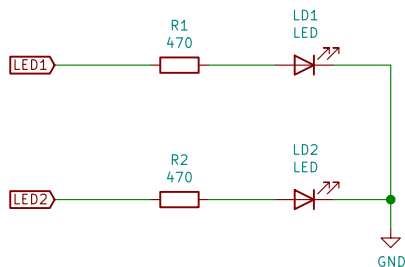
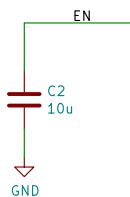
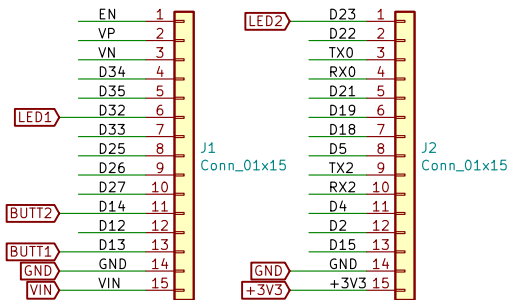


ESP32 DevKit v1



Sheet: /
File: Esp32DevKitExtButtons.sch

Title:		Rev:	
Size: A4	Date:		
KiCad E.D.A. kicad (5.1.6)-1		Id: 1/1	