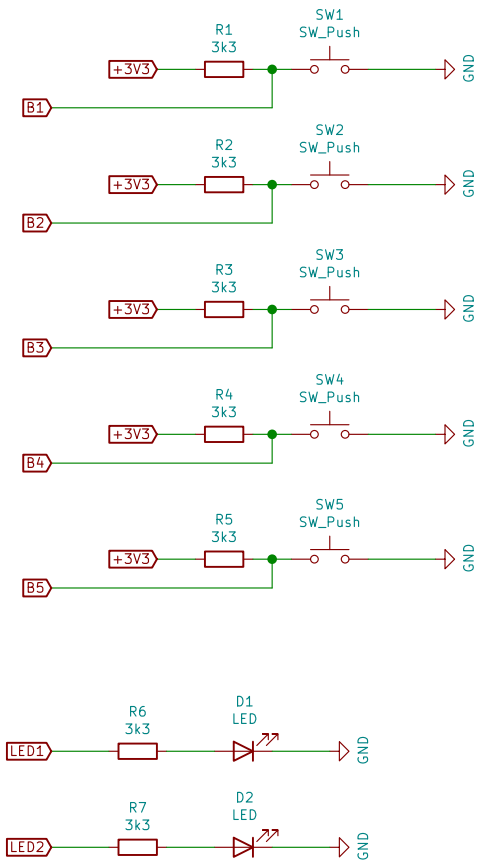
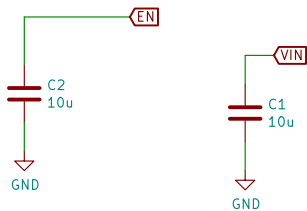
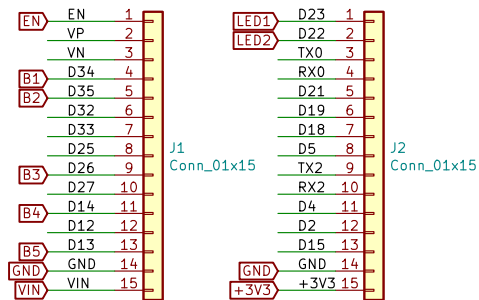


ESP32 Development Kit V1



Sheet: /
File: Esp32DevKitMicroSwitch.sch

Title:

Size: A4
KiCad E.D.A. kicad (5.1.6)-1

Date:

Rev:

Id: 1/1